

Diverter valve

Three ways – Closed center
DDF3



USE AND OPERATION:

3 ways diverter valves used to divert the flow towards 2 different outlets.

MATERIALS AND FEATURES:

Body: cast iron

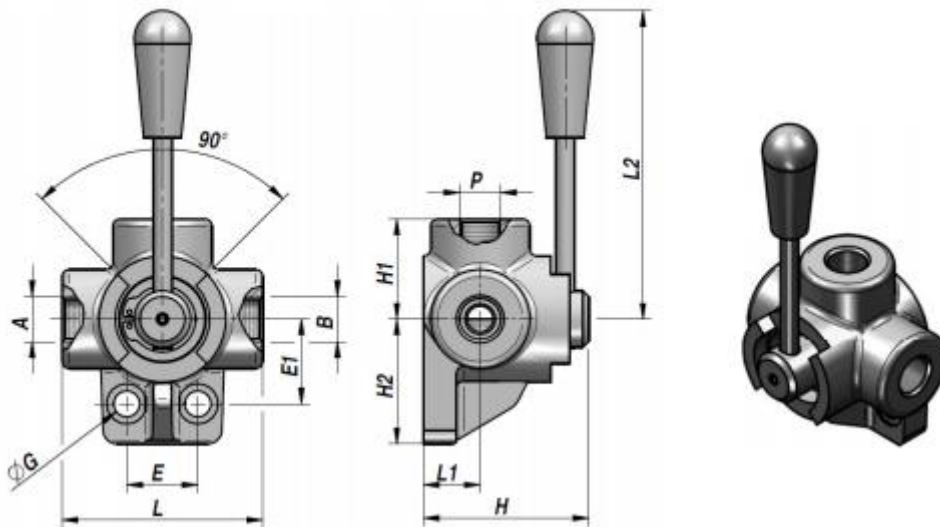
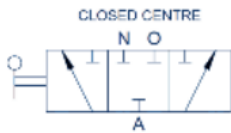
Internal parts: hardened and ground steel

Seals: BUNA N standard

Tightness: minor leakage

APPLICATIONS:

Connect P to the pressure flow, A and P to the ports of the hydraulic circuit where flow has to be diverted. With lever in position 1 the flow is connected towards port A; with lever in position 2, the flow is connected towards port B. With lever in central position all ports are closed (closed center).



Type	P A - B BSP	Q Max. L/min.	P Max. Bar	L mm	L1 mm	L2 mm	ØG mm	E mm	E1 mm	H mm	H1 mm	H2 mm	Weight kg
DDF3 3/8"	3/8"	60	315	73	21	135	8,5	24	31	62	36,5	42	0,87
DDF3 1/2"	1/2"	90	280	85	24	130	11	30	36	70	42,5	53	1,42
DDF3 3/4"	3/4"	120	250	91	28	130	11	32	41	80	45,5	56	1,84