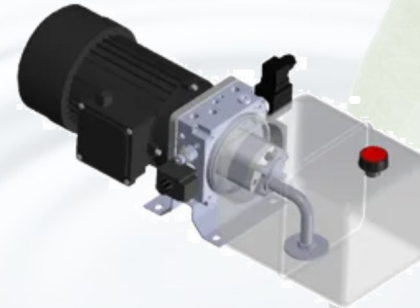
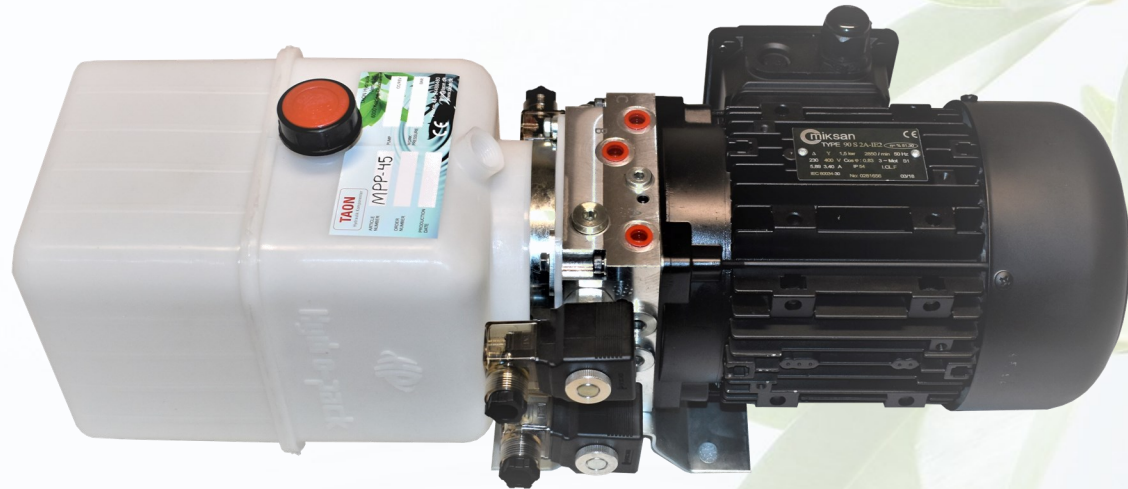
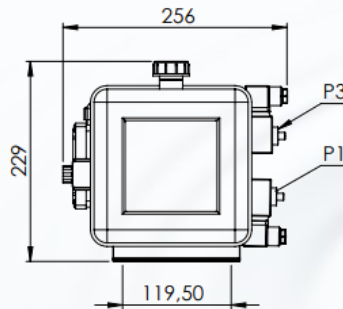
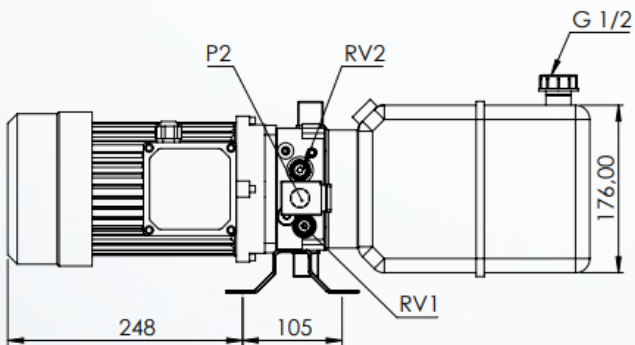
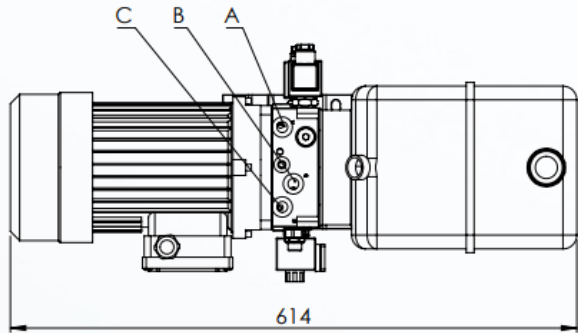


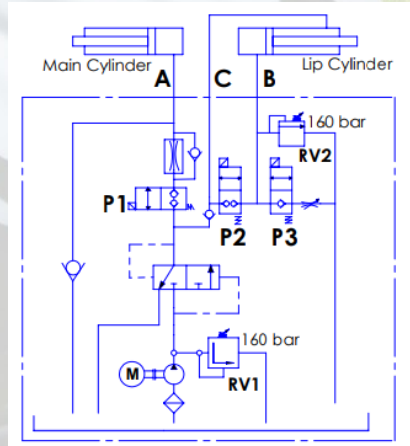
MPP-45 Mini Power Pack

Main Application: Telescopic Dock Leveler



HYDRAULIC CIRCUIT

A, B, C = G 1/4"



ELECTRIC MOTOR

Power: 1,5 kW
Voltage: 380 V

PUMP & OIL TANK

Pump displacement:
1,8 cc/rev
Tank capacity: 6 liter

MAX. PRESSURE

160 bar

FLOW

4,6 L/min

TAON Hydraulic Components ApS are specialists in hydraulic solutions, components and tool.

TAON Hydraulic Components ApS • +45 24 48 84 80 • info@taon.dk • www.taon.dk

© TAON Hydraulic will always help you find the best solution.