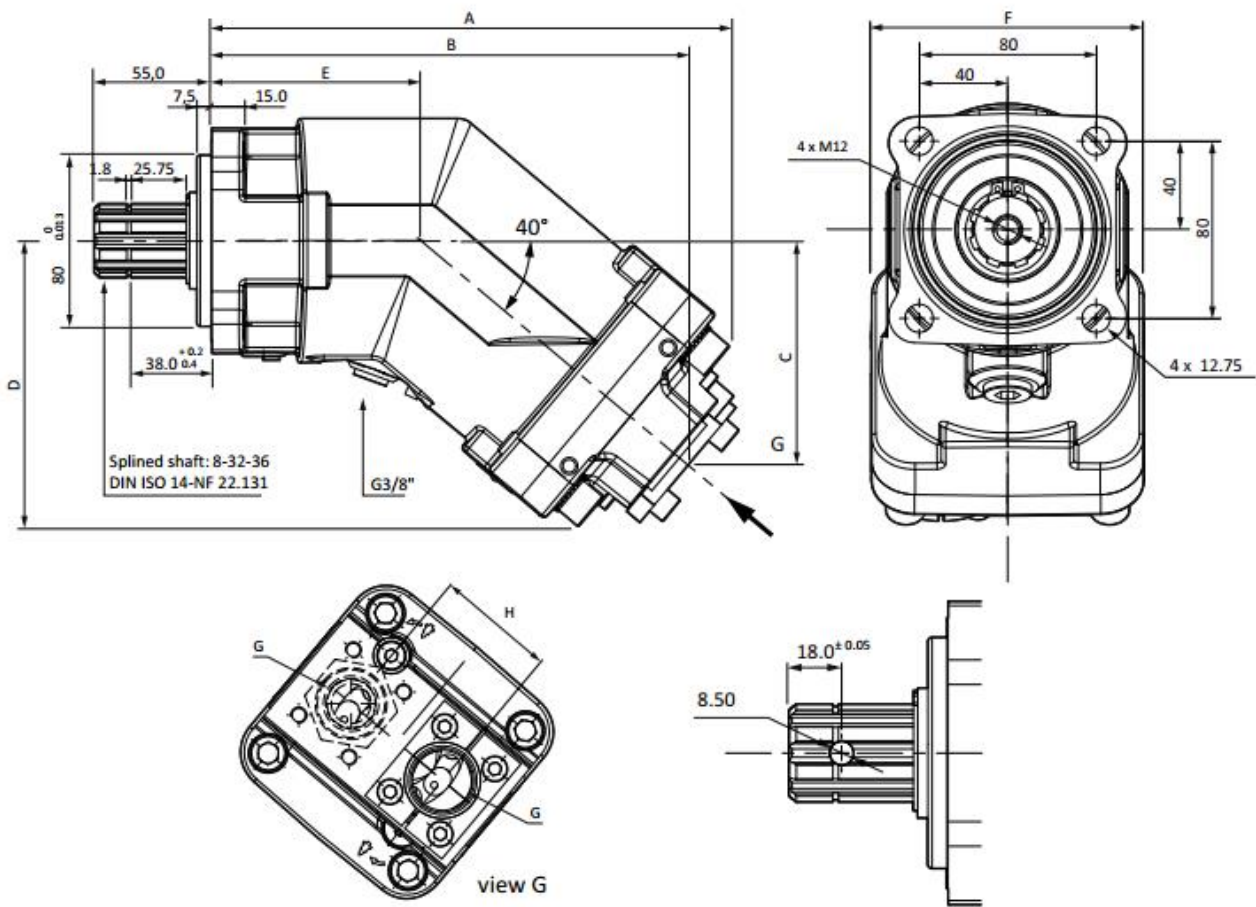


Piston pump – bent axis

Shaft ISO 14 8x32x36

HDS 18 cc



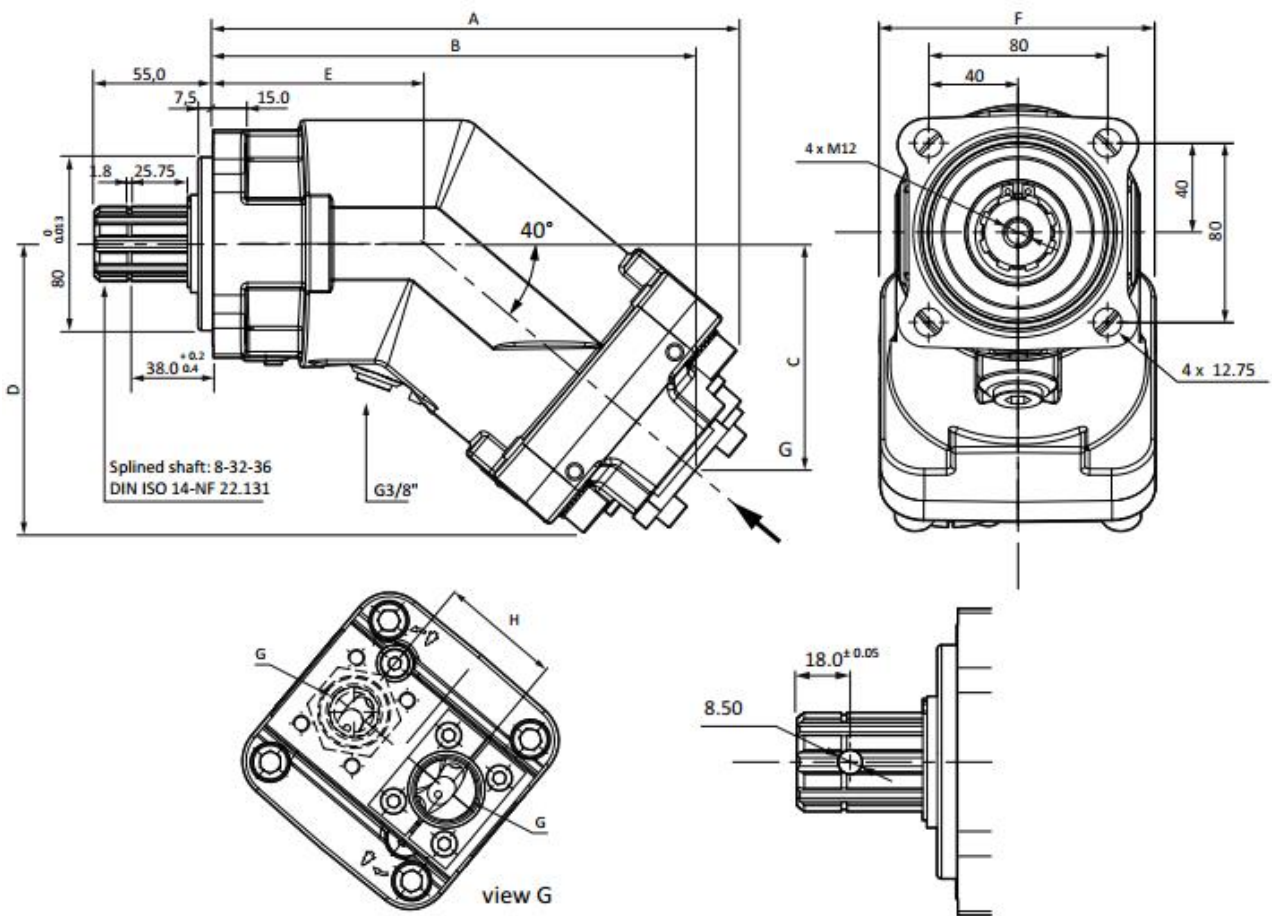
Pump Type	Displacement cc	Max. Continuous Pressure bar	Min. Intermittent P. Pressure bar	Max. Rotating Speed rpm	Max. Torque Nm	Max. Intermittent Pressure	Weight without inlet fitting kg	Weight with inlet fitting kg	Torque without inlet fitting kg	Torque with inlet fitting kg
18	17,80	350	400	2500	105	-	9,00	9,40	8,75	9,19

Pump Type	A	B	C	D	E	F	G	H	Fluid	Rotation
18	195,00	176,00	76,00	104,00	80,00	108,00	3/4"	54	Mineral based hydraulic oils	CW-CCW

Piston pump – bent axis

Shaft ISO 14 8x32x36

HDS 25 cc



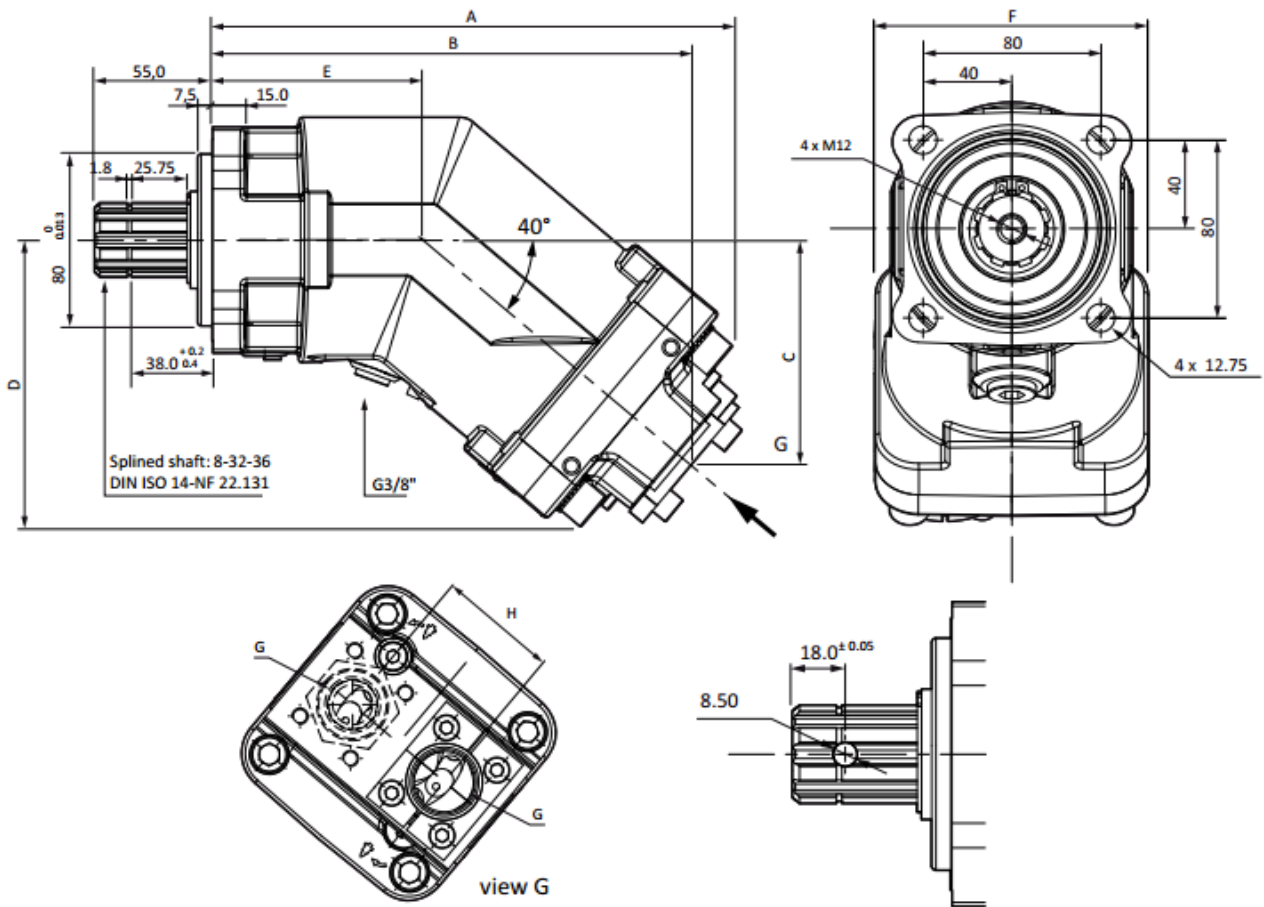
Pump Type	Displacement cc	Max. Continuous Pressure bar	Min. Intermittent P. Pressure bar	Max. Rotating Speed rpm	Max. Torque Nm	Max. Intermittent Pressure	Weight without inlet fitting kg	Weight with inlet fitting kg	Torque without inlet fitting kg	Torque with inlet fitting kg
25	24,50	350	400	2500	146	-	9,50	9,90	8,82	9,23

Pump Type	A	B	C	D	E	F	G	H	Fluid	Rotation
.25	195,00	176,00	76,00	104,00	80,00	108,00	3/4"	54	Mineral based hydraulic oils	CW-CCW

Piston pump – bent axis

Shaft ISO 14 8x32x36

HDS 35 cc



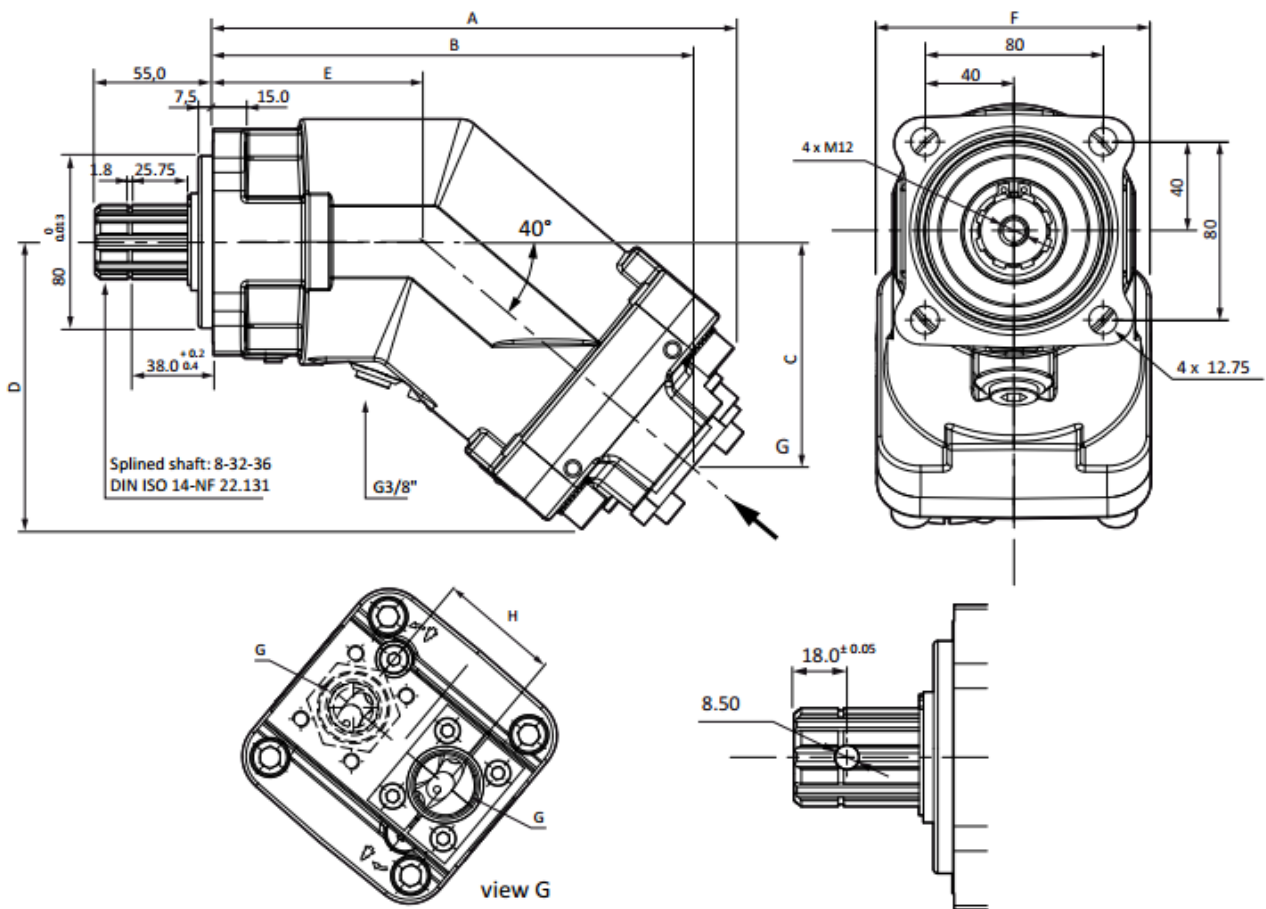
Pump Type	Displacement ^{cc}	Max. Continuous Pressure ^{bar}	Min. Intermittent P. Pressure ^{bar}	Max. Rotating Speed ^{rpm}	Max. Torque ^{Nm}	Max. Intermittent Pressure	Weight without inlet fitting ^{kg}	Weight with inlet fitting ^{kg}	Torque without inlet fitting ^{kg}	Torque with inlet fitting ^{kg}
35	34,70	350	400	2500	190	-	10,50	10,90	11,00	11,52

Pump Type	A	B	C	D	E	F	G	H	Fluid	Rotation
35	202,00	182,00	82,00	108,00	85,00	108,00	3/4"	54	Mineral based hydraulic oils	CW-CCW

Piston pump – bent axis

Shaft ISO 14 8x32x36

HDS 45 cc



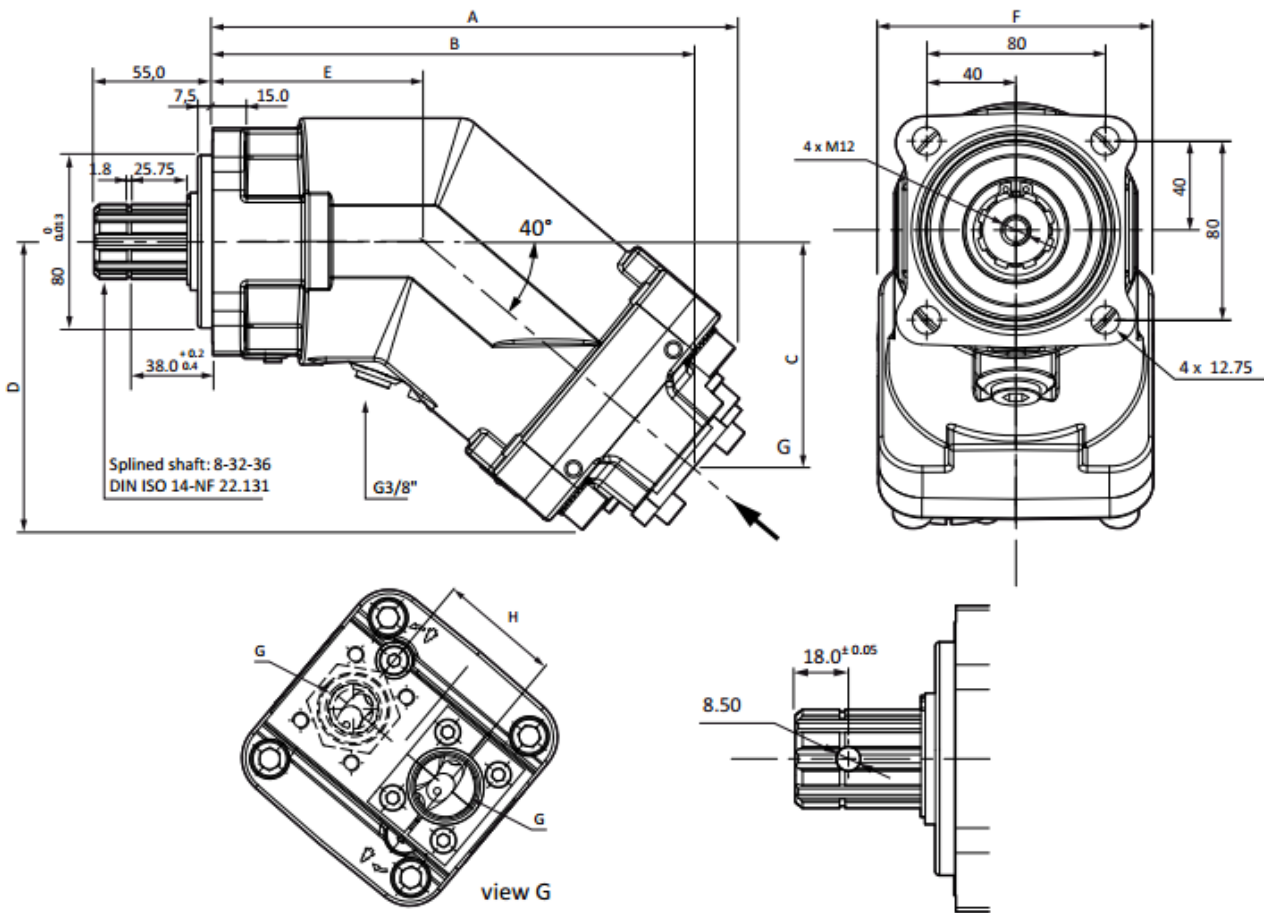
Pump Type	Displacement cc	Max. Continuous Pressure bar	Min. Intermittent P. Pressure bar	Max. Rotating Speed rpm	Max. Torque Nm	Max. Intermittent Pressure	Weight without inlet fitting kg	Weight with inlet fitting kg	Torque without inlet fitting kg	Torque with inlet fitting kg
.45	42,20	350	400	2400	240	-	10,50	10,90	11,12	11,40

Pump Type	A	B	C	D	E	F	G	H	Fluid	Rotation
.45	202,00	183,00	82,00	108,00	86,00	108,00	3/4"	54	Mineral based hydraulic oils	CW-CCW

Piston pump – bent axis

Shaft ISO 14 8x32x36

HDS 55 cc



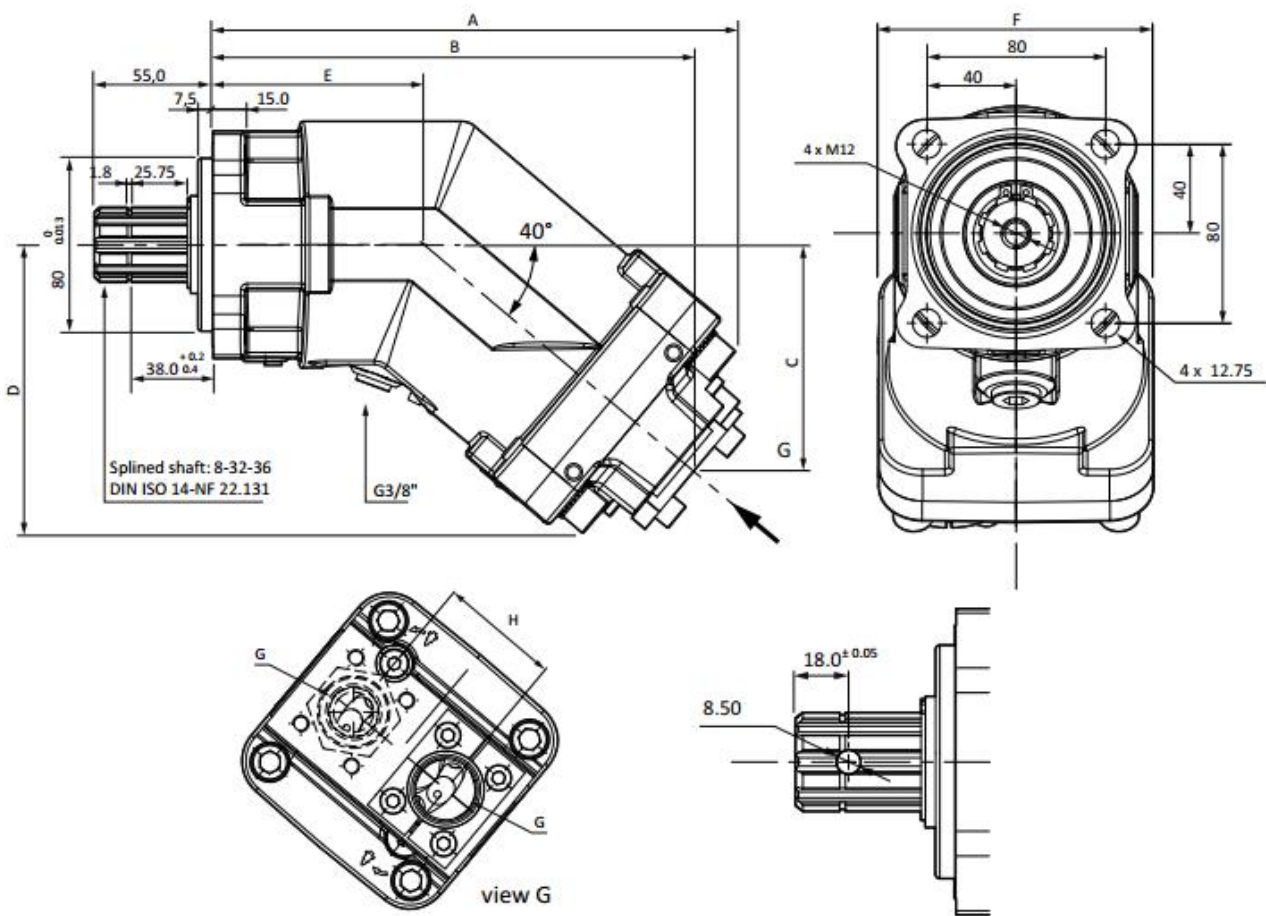
Pump Type	Displacement cc	Max. Continuous Pressure bar	Min. Intermittent P. Pressure bar	Max. Rotating Speed rpm	Max. Torque Nm	Max. Intermittent Pressure	Weight without inlet fitting kg	Weight with inlet fitting kg	Torque without inlet fitting kg	Torque with inlet fitting kg
.55	54,80	350	400	2400	296	-	11,00	11,40	11,72	12,20

Pump Type	A	B	C	D	E	F	G	H	Fluid	Rotation
.55	215,00	196,00	94,00	118,00	86,00	108,00	3/4"	54	Mineral based hydraulic oils	CW-CCW

Piston pump – bent axis

Shaft ISO 14 8x32x36

HDS 63 cc



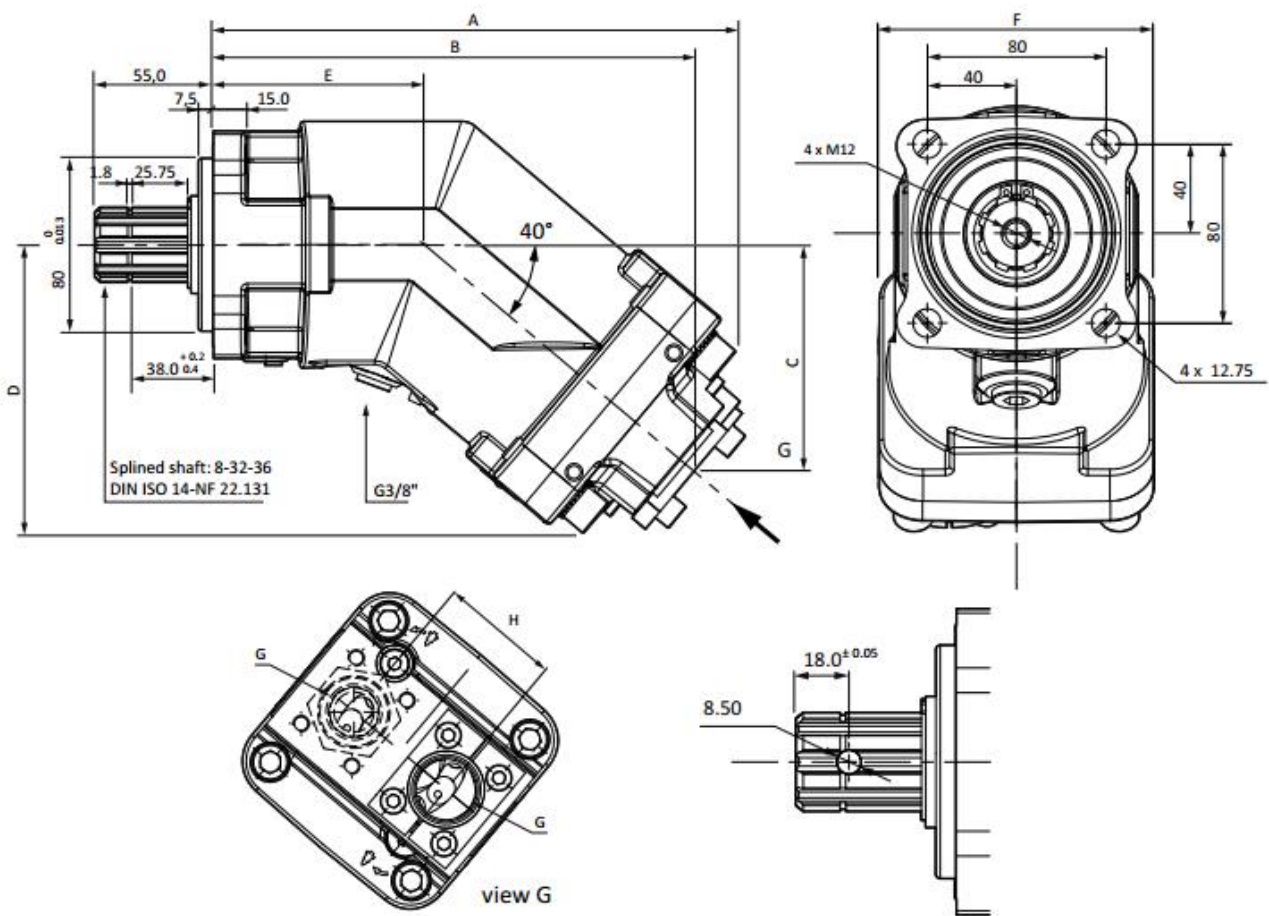
Pump Type	Displacement cc	Max. Continuous Pressure bar	Min. Intermittent P. Pressure bar	Max. Rotating Speed rpm	Max. Torque Nm	Max. Intermittent Pressure	Weight without inlet fitting kg	Weight with inlet fitting kg	Torque without inlet fitting kg	Torque with inlet fitting kg
63	67,40	350	400	2200	360	-	11,50	11,90	11,77	12,23

Pump Type	A	B	C	D	E	F	G	H	Fluid	Rotation
63	215,00	196,00	94,00	118,00	86,00	108,00	3/4"	54	Mineral based hydraulic oils	CW-CCW

Piston pump – bent axis

Shaft ISO 14 8x32x36

HDS 85 cc



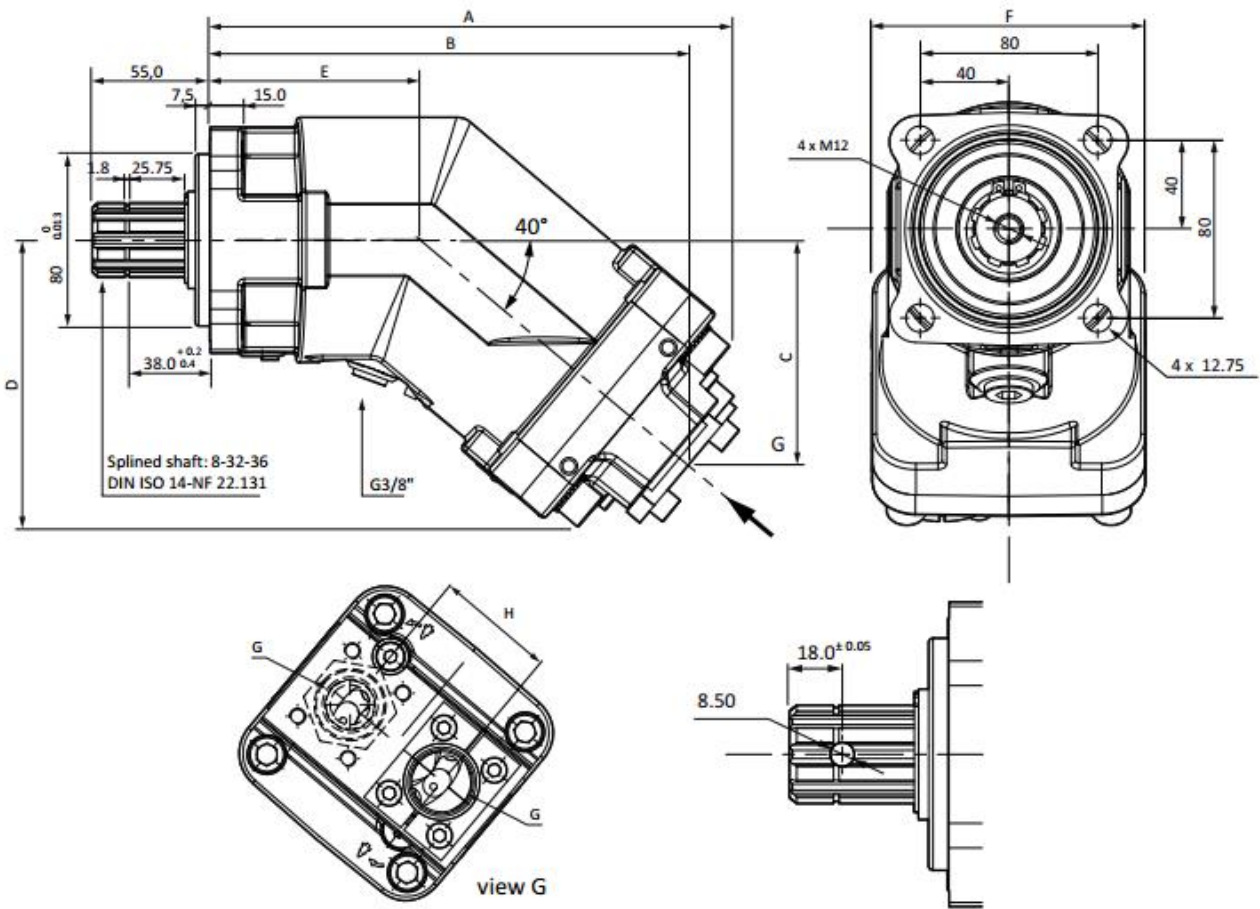
Pump Type	cc	Max. Continuous Pressure bar	Min. Intermittent P. Pressure bar	Max. Rotating Speed rpm	Max. Torque Nm	Max. Intermittent Pressure	Weight without inlet fitting kg	Weight with inlet fitting kg	Torque without inlet fitting kg	Torque with inlet fitting kg
85	85,20	350	400	2250	460	-	15,00	15,40	17,80	18,33

Pump Type	A	B	C	D	E	F	G	H	Fluid	Rotation
85	223,00	223,00	105,00	132,00	98,00	122,00	1"	60	Mineral based hydraulic oils	CW-CCW

Piston pump – bent axis

Shaft ISO 14 8x32x36

HDS 108 cc



Pump Type	Displacement ^{cc}	Max. Continuous Pressure ^{bar}	Min. Intermittent P. Pressure ^{bar}	Max. Rotating Speed ^{rpm}	Max. Torque ^{Nm}	Max. Intermittent Pressure	Weight without inlet fitting ^{kg}	Weight with inlet fitting ^{kg}	Torque without inlet fitting ^{kg}	Torque with inlet fitting ^{kg}
108	108,70	350	400	1900	620	-	15,50	15,90	17,92	18,45

Pump Type	A	B	C	D	E	F	G	H	Fluid	Rotation
108	223,00	223,00	105,00	132,00	98,00	122,00	1"	60	Mineral based hydraulic oils	CW-CCW