

# Hydraulic Hand Pump - Double Acting

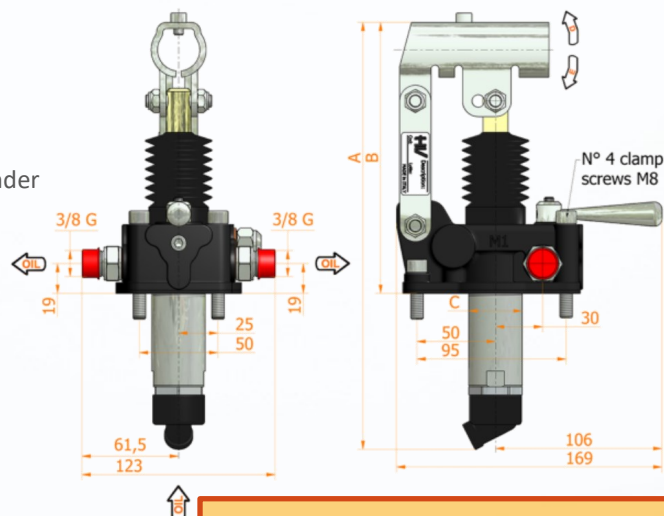
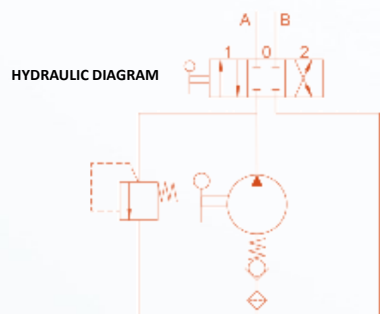
## PMD 6-12-25-45 byB-s

With 4/3 flow divider closed centre

With pressure relief valve

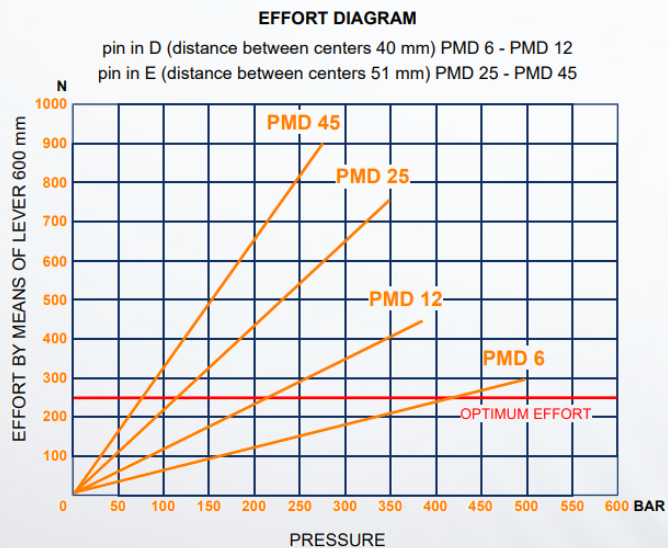
Double acting hand pump for double acting cylinder

For fixing to tank



### Specifications:

- Cast iron body
- Piston treated with Niploy
- White zinc plated support lever
- Lever connection  $\varnothing 27$
- White zinc plated external parts
- Oil tank mounting kit included
- Pressure relief valve standard setting: 100 Bar



DISPLACEMENT cm <sup>3</sup>	A mm	B mm	C mm	MAX PRESSURE Bar	WEIGHT kg
6	253	166	34	500	3,400
12	253	166	34	380	3,400
25	273	172	34	350	3,450
45	283	172	40	280	3,500



# Hydraulic Oil Tank - Steel

## For Handpumps

Painted steel oil tank for hand pumps

Suction pipe included

Breather cap 1/4 G

Release cap 1/4 G

Standard colour black



MODEL	CAPACITY L	DIMENSIONS mm	SUCTION PIPE mm	WEIGHT kg
S1 ac	1	100x150x120	Ø10x85	2,2
S2 ac	2	100x150x185	Ø10x114	3,0
S3 ac	3	100x150x255	Ø10x180	3,7
S5 ac	5	175x175x200	Ø10x156	5,3
S7 ac	7	175x175x275	Ø10x215	6,6
S10 ac	10	175x175x380	Ø10x325	8,3

A mm	B mm	C mm	D mm
100	150	120	120
100	150	185	120
100	150	255	120
175	175	200	195
175	175	275	195
175	175	380	195



TAON Hydraulic Components ApS are specialists in hydraulic solutions, components and tool.

TAON Hydraulic Components ApS • +45 24 48 84 80 • info@taon.dk • www.taon.dk

© TAON Hydraulic will always help you find the best solution.