

Quick Couplings - ISO B TrAle

Stainless Steel AISI 316-L

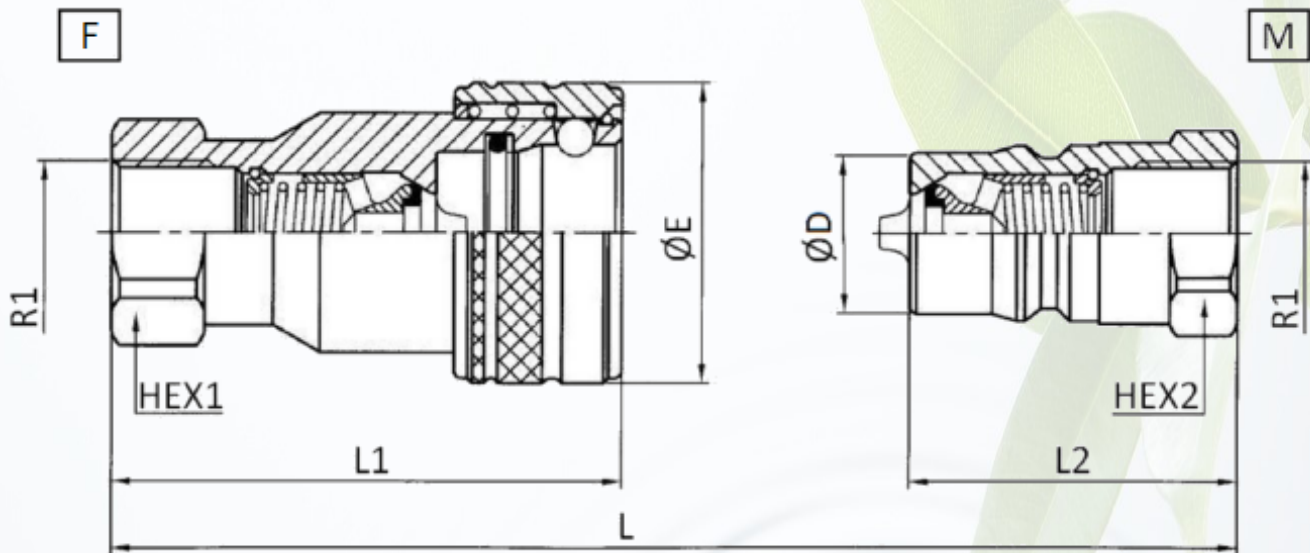
These couplings are used in a wide range of hydraulic applications including construction equipment, manufacturing machinery, and in-plant systems. They can be found anyplace where the fluid transfer lines need to be connected and disconnected for operation or maintenance of equipment.

SPECIFICATION

Materials: Stainless steel

Seals: FKM + PTFE

Working temperature: -20°C/ +180°C



Item no.	R1	Max working pressure (bar)	ISO size	BG size	Coupling	Water flow (l/min)	L	L1	L2	HEX 1	HEX 2	ØD	ØE
Male													
5550-01-04S	1/4" BSP	250	6,3	1	M	12	76		38		19	14,2	
5550-01-06S	3/8" BSP	250	10	2	M	23	86		43		22	19	
5550-01-08S	1/2" BSP	250	12,5	3	M	45	97		48,5		27	23,5	
5550-01-12S	3/4" BSP	250	20	4	M	106	114		57		34	31,5	
5550-01-16S	1" BSP	200	25	5	M	189	131		65,5		41	37,8	
Female													
5550-02-04S	1/4" BSP	250	6,3	1	F	12	76	60		19			28
5550-02-06S	3/8" BSP	250	10	2	F	23	86	67,5		22			35
5550-02-08S	1/2" BSP	250	12,5	3	F	45	97	76		27			44
5550-02-12S	3/4" BSP	250	20	4	F	106	114	91,5		34			52
5550-02-16S	1" BSP	200	25	5	F	189	131	106		41			60