

CATALOGUE

Oil tank series



See all the options in side-mounted and rear-mounted

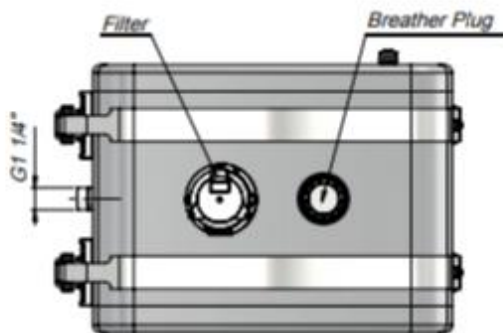
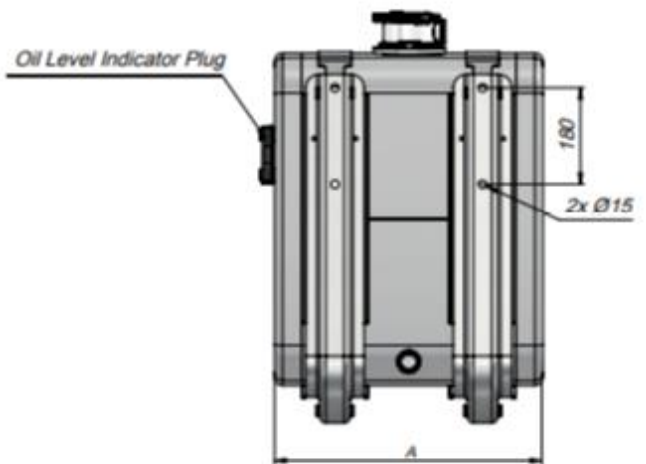
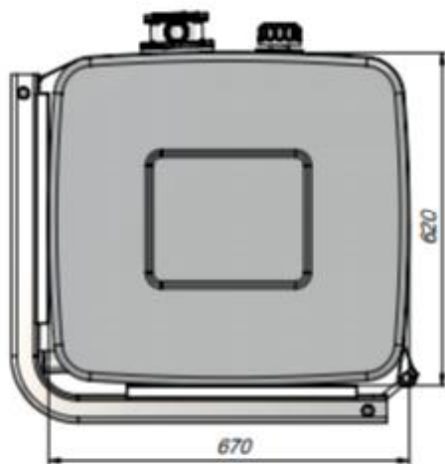


TAON Hydraulic Components ApS are specialists in hydraulic solutions, components and tool.

TAON Hydraulic Components ApS • +45 24 48 84 80 • info@taon.dk • www.taon.dk

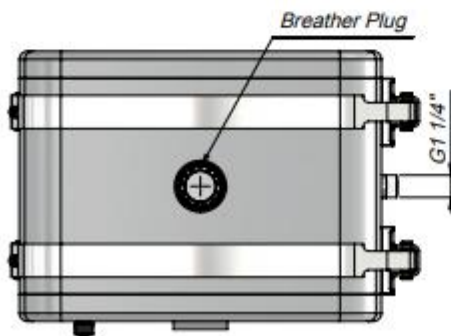
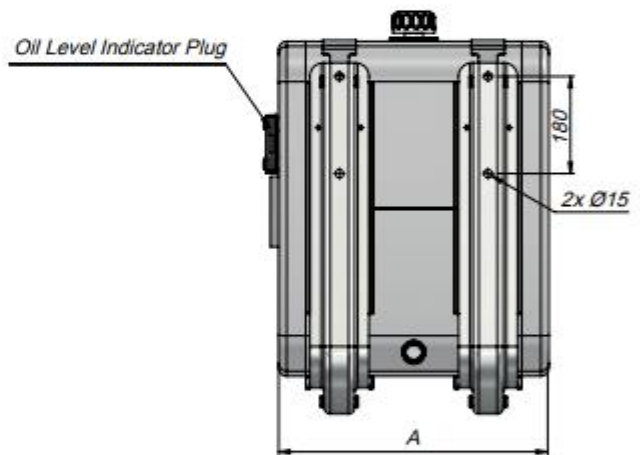
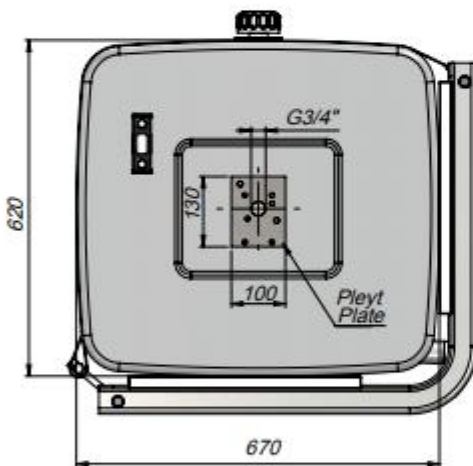
© TAON Hydraulic will always help you find the best solution.

SIDE MOUNTED STEEL OIL TANK WITH FILTER



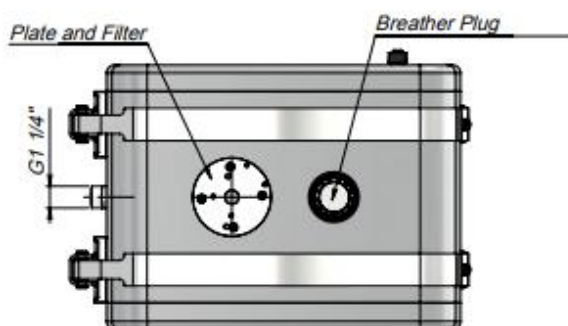
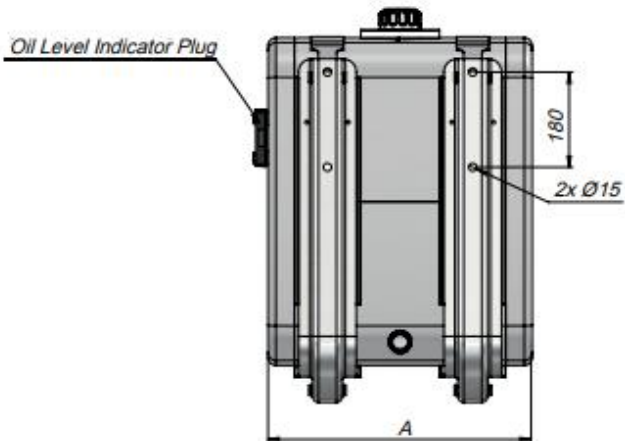
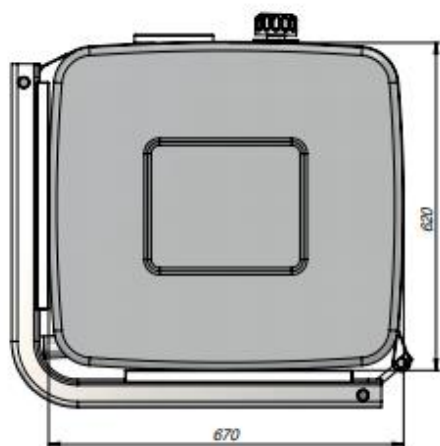
Code	Volume (Lt)	A
TSMRF1001	100	275
TSMRF1201	120	330
TSMRF1351	135	375
TSMRF1501	150	425
TSMRF1651	165	450
TSMRF1701	170	475
TSMRF1801	180	500
TSMRF1901	190	525
TSMRF2001	200	550
TSMRF2501	250	700

SIDE MOUNTED OIL TANK WITHOUT FILTER



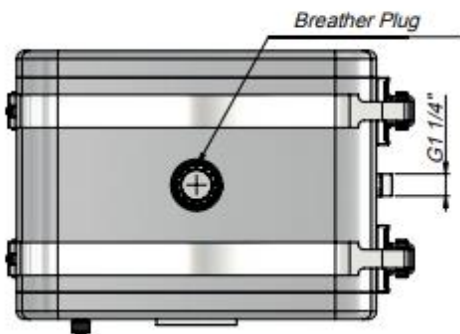
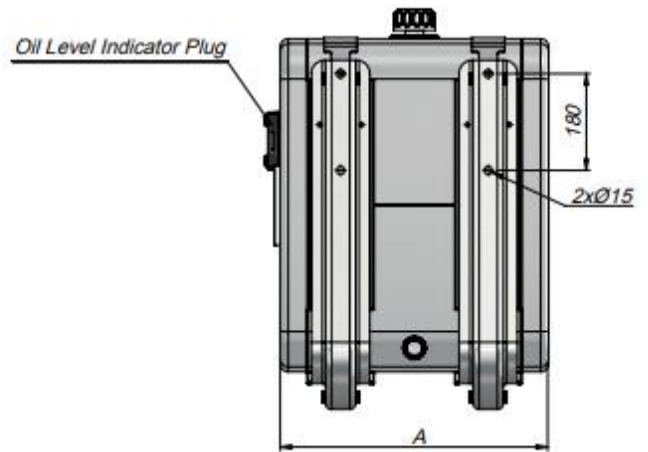
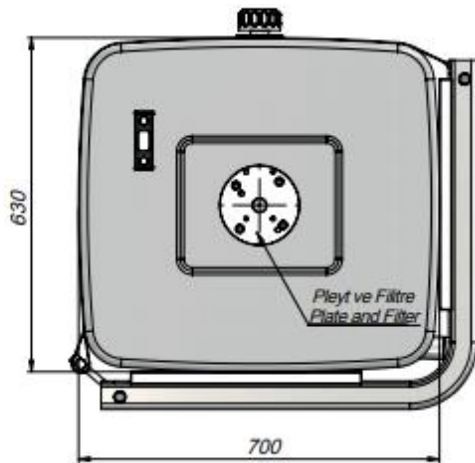
Code	Volume (Lt)	A
TSMNF1001	100	275
TSMNF1201	120	330
TSMNF1351	135	375
TSMNF1501	150	425
TSMNF1651	165	450
TSMNF1701	170	475
TSMNF1801	180	500
TSMNF1901	190	525
TSMNF2001	200	550
TSMNF2501	250	700

SIDE MOUNTED STEEL OIL TANK WITH INTERNAL FILTER



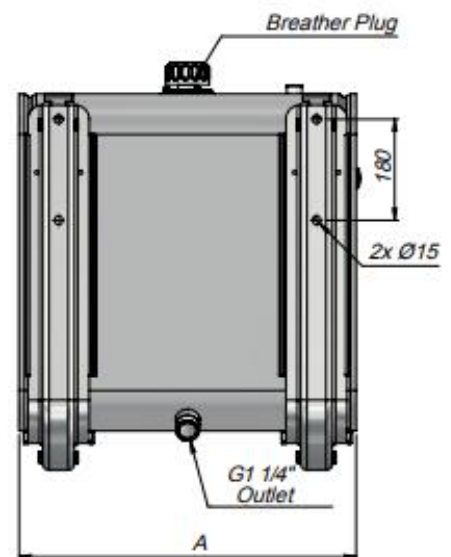
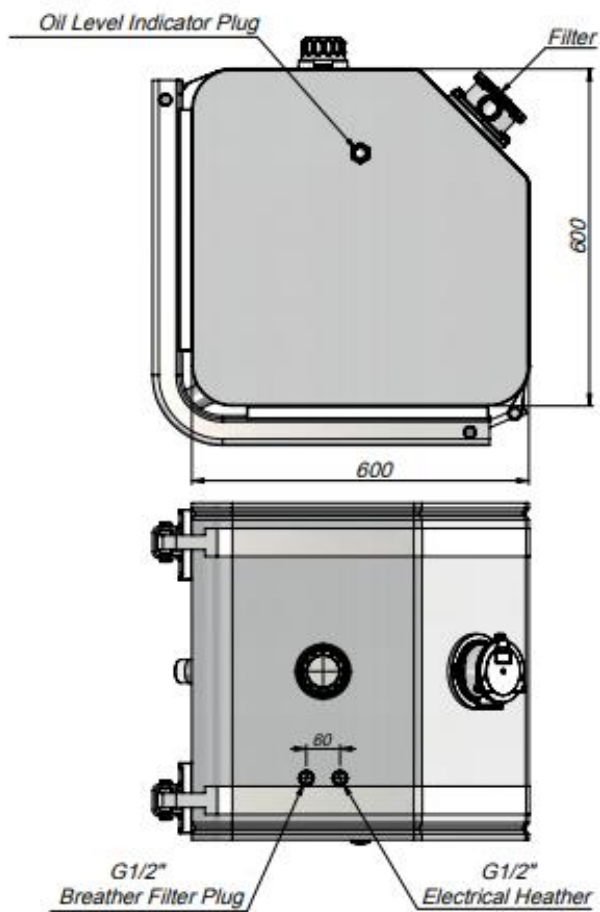
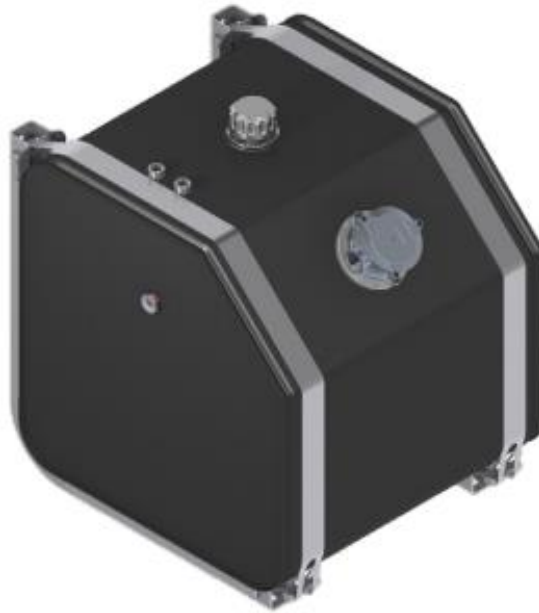
Code	Volume (Lt)	A
TSMIF1001	100	275
TSMIF1201	120	330
TSMIF1351	135	375
TSMIF1501	150	425
TSMIF1651	165	450
TSMIF1701	170	475
TSMIF1801	180	500
TSMIF1901	190	525
TSMIF2001	200	550
TSMIF2501	250	700

SIDE MOUNTED ALUMINIUM OIL TANK WITH INTERNAL FILTER



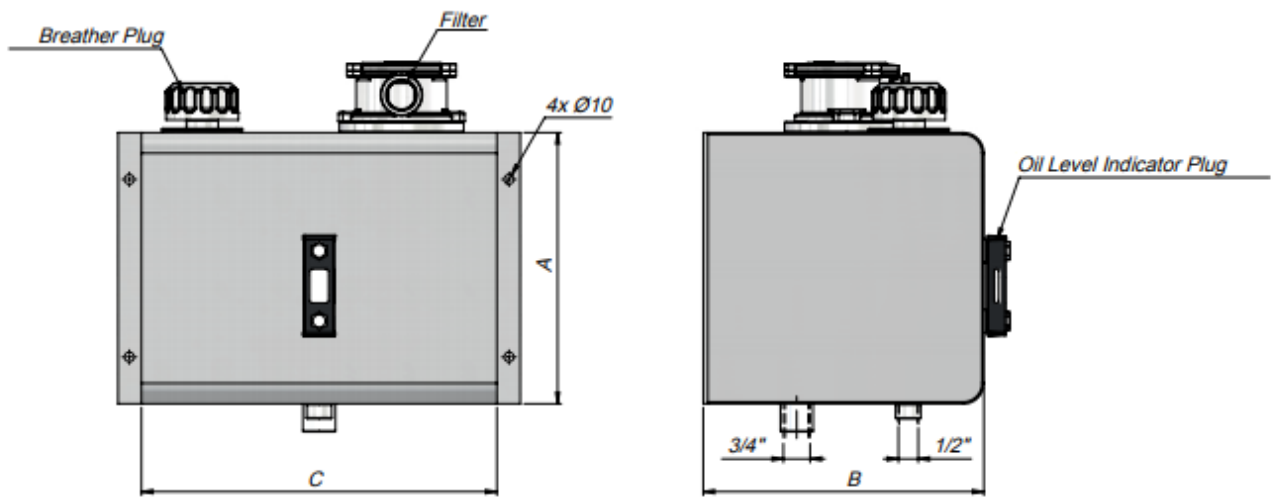
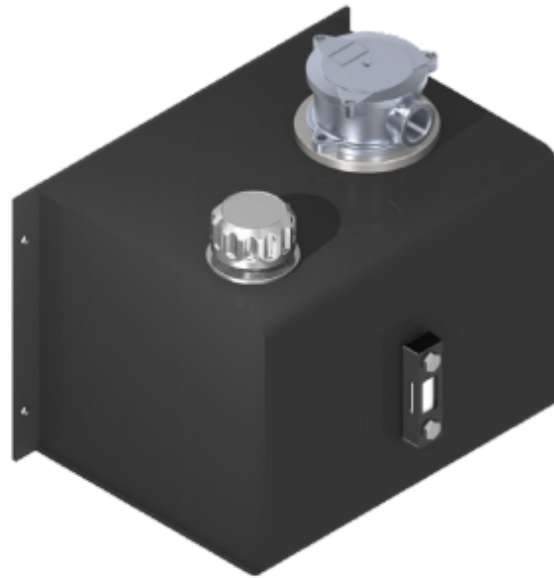
Code	Volume (Lt)	A
TSMAIF1001	100	260
TSMAIF1201	120	320
TSMAIF1351	135	350
TSMAIF1501	150	400
TSMAIF1651	165	425
TSMAIF1701	170	450
TSMAIF1801	180	470
TSMAIF1901	190	500
TSMAIF2001	200	525
TSMAIF2501	250	650

SIDE MOUNTED BEVELLED STEEL OIL TANK WITH FILTER



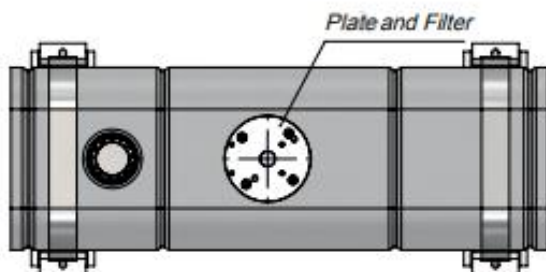
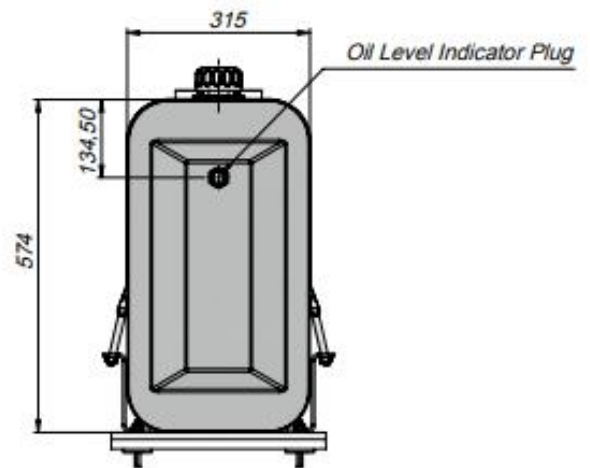
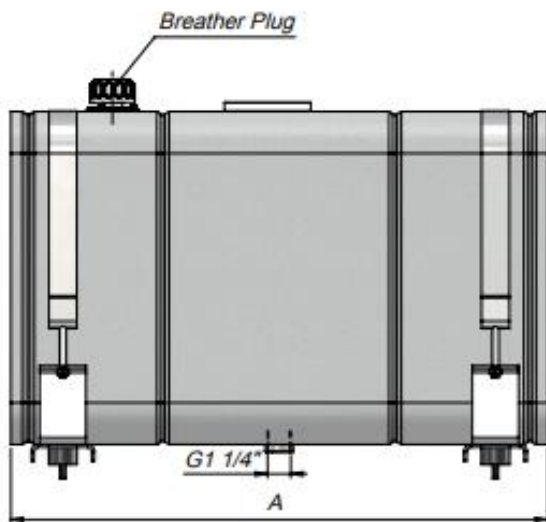
Code	Volume (Lt)	A
TSMRF1002	100	350
TSMRF1502	150	500
TSMRF1802	180	600
TSMRF2502	250	800

SIDE MOUNTED STEEL OIL TANK WITH FILTER



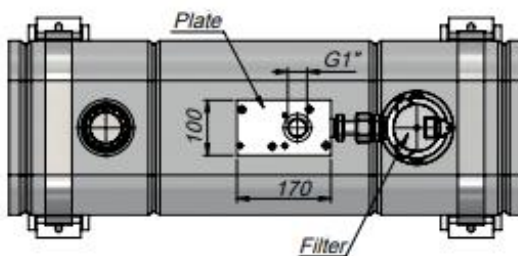
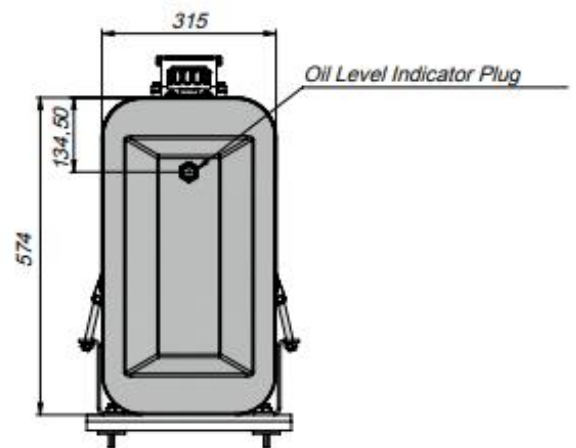
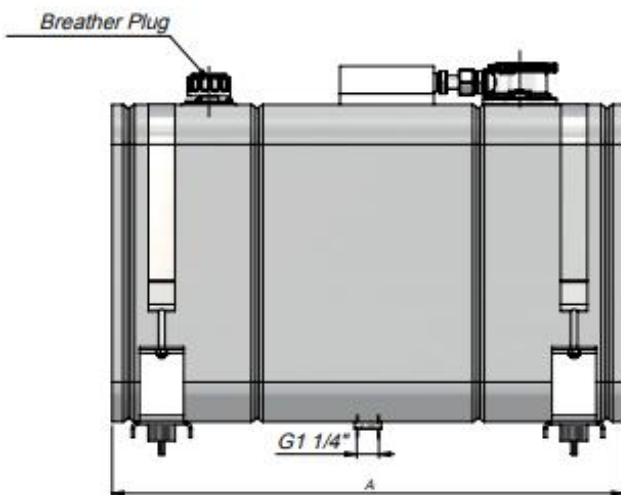
Code	Volume (Lt)	A	B	C
TSMRF156	15	265	290	285
TSMRF256	25	265	290	400
TSMRF306	30	265	290	450
TSMRF406	40	330	290	475
TSMRF606	60	475	290	490
TSMRF806	80	475	290	650

REAR MOUNTED STEEL OIL TANK WITH INTERNAL FILTER



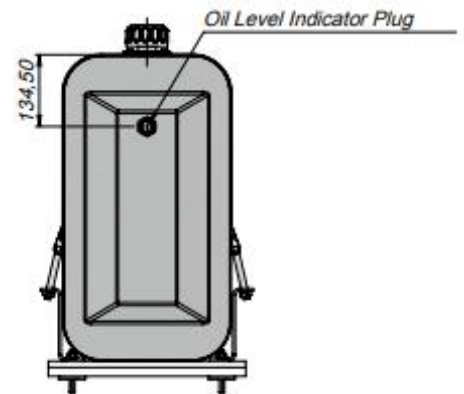
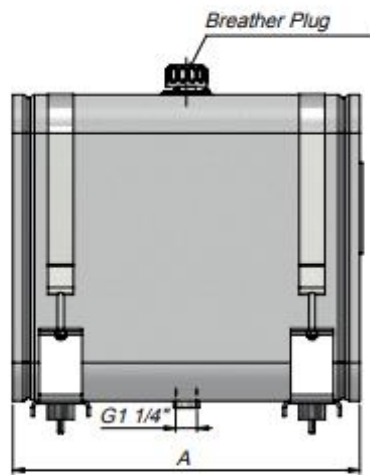
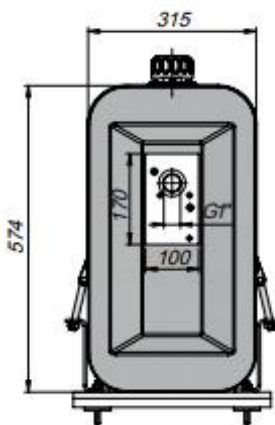
Code	Volume (Lt)	A
TRMIF1001	100	650
TRMIF1201	120	745
TRMIF1501	150	925
TRMIF1801	180	1090
TRMIF2001	200	1200

REAR MOUNTED STEEL OIL TANK WITH FILTER FILTER



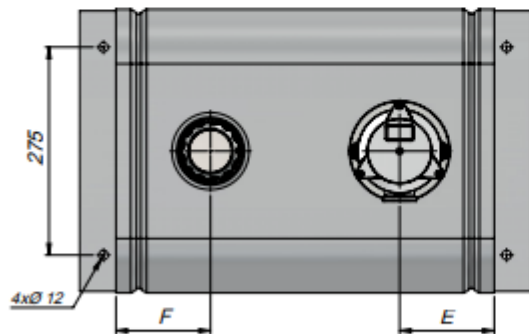
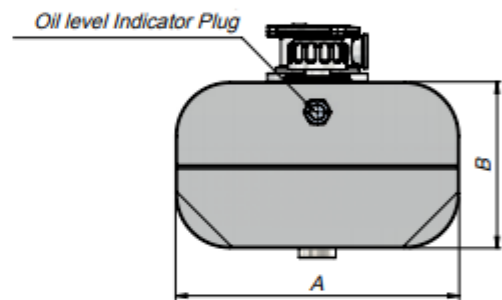
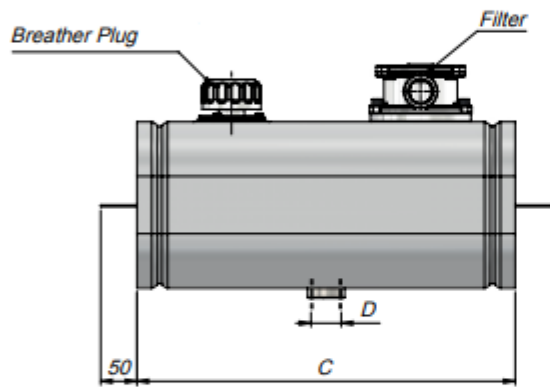
Code	Volume (Lt)	A
TRMRF1001	100	650
TRMRF1201	120	745
TRMRF1501	150	925
TRMRF1801	180	1090
TRMRF2001	200	1200

REAR MOUNTED STEEL OIL TANK WITHOUT FILTER



Code	Volume (Lt)	A
TRMNF0551	55	370
TRMNF0701	70	470
TRMNF0801	80	520
TRMNF1001	100	650
TRMNF1201	120	740
TRMNF1801	180	1090
TRMNF2001	200	1200

REAR MOUNTED STEEL OIL TANK WITH FILTER



Code	Volume (Lt)	A	B	C	D	E	F
TRMRF0209	20	370	220	250	G1"	100	75
TRMRF0259	25	370	270	300		100	75
TRMRF0359	35	370	220	400		100	75
TRMRF0509	50	360	320	500		150	100
TRMRF0609	60	360	300	600	G1" 1/4"	150	100