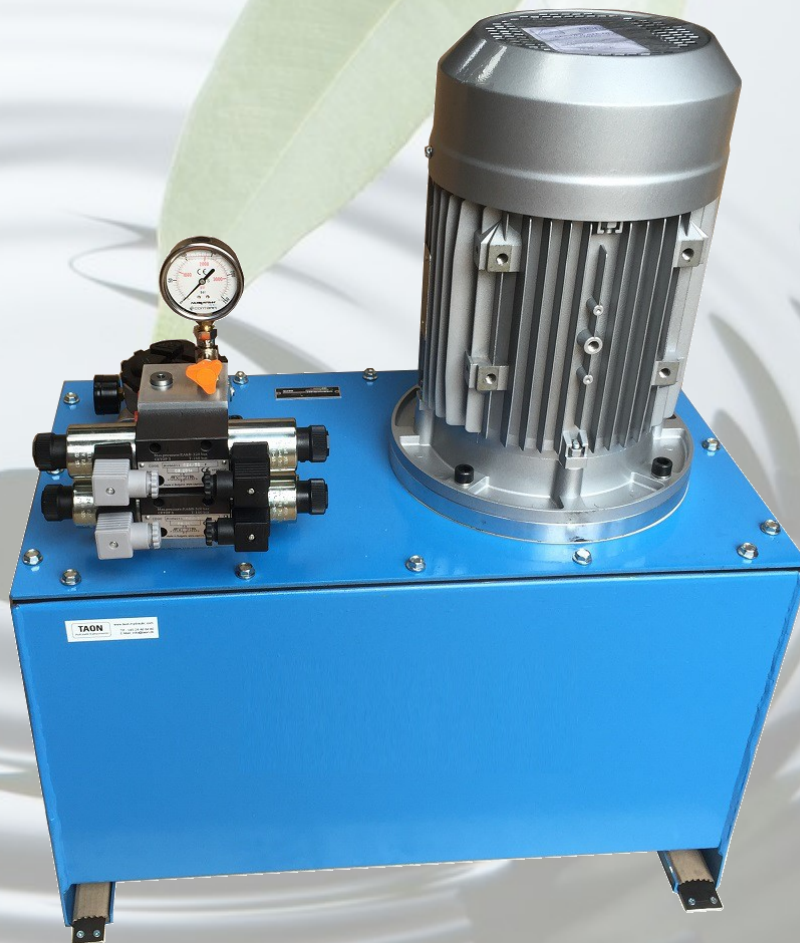


CATALOGUE

STATIONAIRY POWER PACKS

Standard/custom-built



Stationary power pack
Industrial power pack (gear pump)
Standard/Custom-built



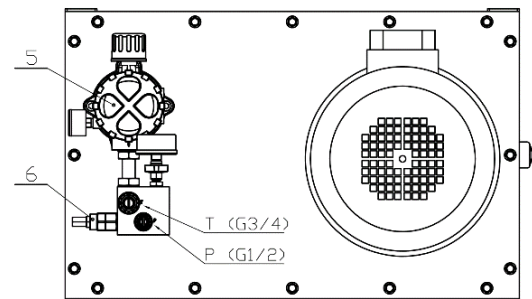
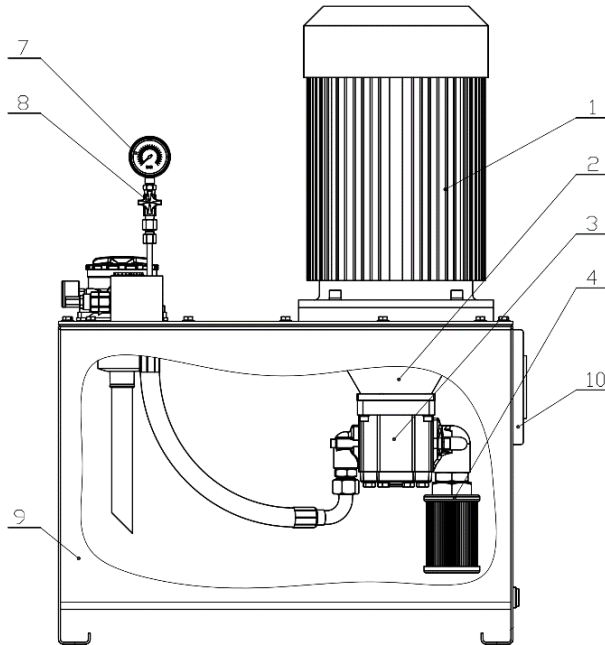
0-250 Bar
6-85 L/min.



The industrial power pack consists of a tank with a connected hydraulic power source and a control regulatory distribution system.

Available as standard or custom-built according to specifications.

Stationary power pack
Industrial power pack (gear pump)
Standard/Custom-built



1. Motor
2. Elastic clutch
3. Pump
4. Suction filter
5. Return filter
6. Pressure-relief valve
7. Manometer
8. Stopvalve for manometer
9. Oil tank
10. Oil-level indicator

Additional options:

- Valve set-up
- Cooler
- Accumulator

Built into the tank:

- visual indicator with thermometer
- plug G1/2 for letting out the working fluid

Pressure-line pipe

Return-line pipe

Stationary power pack
Industrial power pack (gear pump)
Standard/Custom-built



CUSTOM-BUILT HYDRAULIC POWER PACKS

Custom-built power packs with cylinders, valves and other accessories can be built and delivered according to requests and specifications. Among others, it is possible to choose from the following variants:

Motor

4 kW, 1450 rpm/min., 400 V/690 V, 50 Hz, B5
5,5 kW, 1450 rpm/min., 400 V/690 V, 50 Hz, B5
7,5 kW, 1450 rpm/min., 400 V/690 V, 50 Hz, B5
11 kW, 1450 rpm/min., 400 V/690 V, 50 Hz, B5
Special motor in marine version with 440 V, 60 Hz and up to 65 kW

Tank capacity

75 L
100 L
150 L
200 L
As well as special sizes on request

Nominal pressure at the pump outlet

0-250 bar

Suction filter

90 µm

Return filter

10 µm

Flow

6-85 L/min.

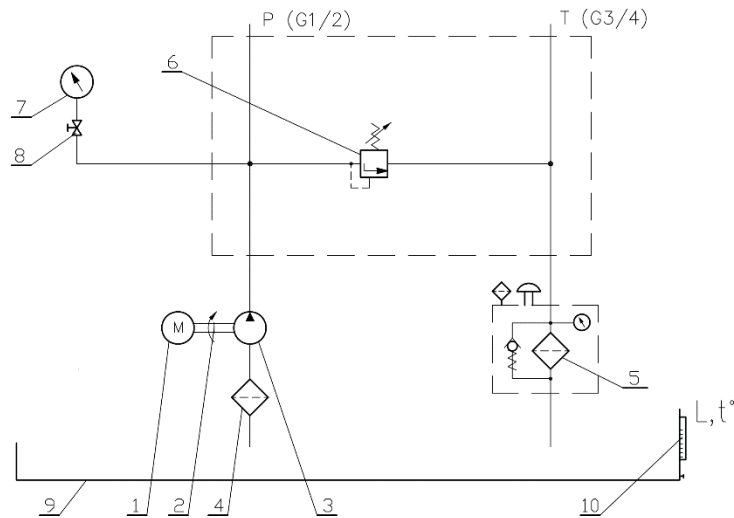
Working fluid

Hydraulic oil with mineral base
(viscosity: 10-400 cSt.)

Pump 4,5-60 cm³/rpm

Gr. 2 (4,5-25 cm³/rpm)
Gr. 3 (28-60 cm³/rpm)
Double-circuit system
High/low-pressure pumps

Stationary power pack
 Industrial power pack (gear pump)
 Standard/Custom-built



Motor kW	Pump	Flow L/min.	Max. pressure Bar
4	4,5 cc	6	250
4	8,2 cc	11	200
4	10 cc	13,5	160
4	16 cc	22	100
4	22 cc	31	70
5,5	8,2 cc	11	250
5,5	11,3 cc	15,5	200
5,5	14 cc	19,2	160
5,5	22 cc	31	100
5,5	28 cc	38	80
7,5	12 cc	16,5	250
7,5	16 cc	22	190
7,5	19 cc	26	160
7,5	28 cc	38	110
7,5	36 cc	50	80
11	19 cc	26	240
11	28 cc	38	160
11	42 cc	57	105
11	50 cc	68	90
11	60 cc	85	72